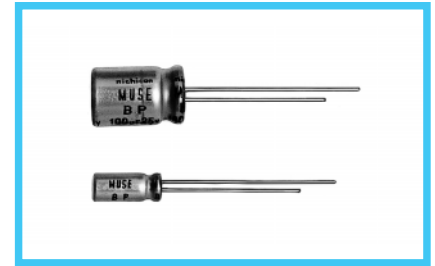




Bi-Polarized, For Audio Equipment



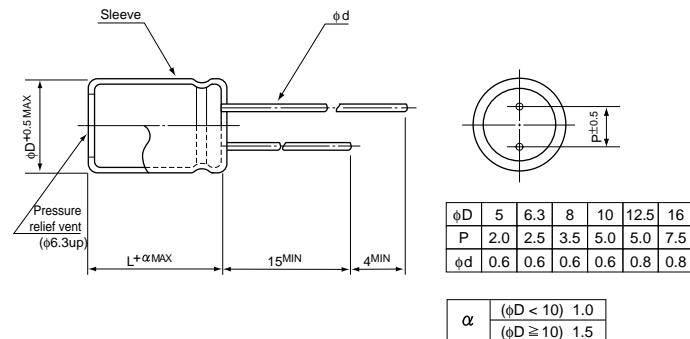
- Bi-polarized “nichicon MUSE” acoustic series.
- Suited for audio signal circuits.



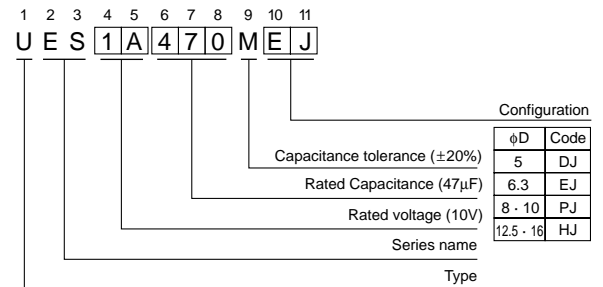
Specifications

Item	Performance Characteristics						
Category Temperature Range	-40 ~ +85°C						
Rated Voltage Range	6.3 ~ 50V						
Rated Capacitance Range	0.47 ~ 1000μF						
Capacitance Tolerance	±20% at 120Hz, 20°C						
Leakage Current	After 1 minute's application of rated voltage, leakage current is not more than 0.03CV or 3 (μA), whichever is greater.						
tan δ	Measurement frequency : 120Hz, Temperature : 20°C						
	Rated voltage (V)	6.3	10	16	25	35	50
	tan δ (MAX.)	0.24	0.20	0.16	0.16	0.14	0.12
Stability at Low Temperature	Measurement frequency : 120Hz						
	Rated voltage (V)	6.3	10	16	25	35	50
	Impedance ratio Z-25°C / Z+20°C	4	3	2	2	2	2
	ZT / Z20 (MAX.)	Z-40°C / Z+20°C	8	6	4	4	4
Endurance	After 1000 hours' application of rated voltage at 85°C with the polarity inverted every 250 hours, capacitors meet the characteristics requirement listed at right.						
	Capacitance change	Within ±20% of initial value					
	tan δ	150% or less of initial specified value					
	Leakage current	Initial specified value or less					
Shelf Life	After leaving capacitors under no load at 85°C for 1000 hours, they meet the specified value for endurance characteristics listed above.						
Marking	Printed with black color letter on clear green sleeve.						

Radial Lead Type



Type numbering system (Example : 10V 47μF)



Dimensions

Cap. (μF)	Code	D × L (mm)						
		V	6.3	10	16	25	35	50
		0J	1A	1C	1E	1V	1H	
0.47	R47						5 × 11	
1	010						5 × 11	
2.2	2R2						5 × 11	
3.3	3R3						5 × 11	
4.7	4R7				5 × 11	5 × 11	6.3 × 11	
10	100			5 × 11	5 × 11	6.3 × 11	8 × 11.5	
22	220		5 × 11	6.3 × 11	6.3 × 11	8 × 11.5	10 × 12.5	
33	330	5 × 11	6.3 × 11	6.3 × 11	8 × 11.5	10 × 12.5	10 × 16	
47	470	6.3 × 11	6.3 × 11	8 × 11.5	10 × 12.5	10 × 12.5	10 × 20	
100	101	8 × 11.5	10 × 12.5	10 × 12.5	10 × 16	10 × 20	12.5 × 25	
220	221	10 × 12.5	10 × 16	10 × 20	12.5 × 25	12.5 × 25	16 × 25	
330	331	10 × 16	10 × 20	12.5 × 20	12.5 × 25	16 × 25	16 × 31.5	
470	471	10 × 20	12.5 × 20	12.5 × 25	16 × 25	16 × 25		
1000	102	12.5 × 25	16 × 25	16 × 25	16 × 31.5			

Please refer to page 18, 19, 20 about the formed or taped product spec.
Please refer to page 3 for the minimum order quantity.